

Amsak
A STEP HIGHER

TRUSTED BRAND SINCE 1978

OPTIMUM QUALITY ADVANCED TECHNOLOGY



About Us

AMSAK CRANES—is a pioneer in crane manufacturing and ranks amongst India's top crane manufacturers today. AMSAK-Cranes Private Limited was established in the year 1978; by Mr. S. ARUMUGAM - Founder & Managing Director .

For over four decades now, AMSAK-Cranes Private Limited has firmly established itself and has earned reputation for quality, reliability and advanced technology. We are the leading manufacturers of material handling equipment catering to varied requirements of industries. We have served some of the biggest names of the industry.

Our product ranges from EOT Cranes, Gantry Cranes, JIB Cranes, Steel mill duty cranes, monorail systems with travelling hoists, special-purpose materials handling lifts, heavy fabricators and other allied equipment. Amsak Cranes sprawling factory is strategically located at Poonamallee, Chennai-Bangalore Highway and is facilitated with all the latest equipments and technologies for machining, fabrication, assembling, material handling, testing and painting.

Currently as a part of our expansion program we have diversified into fabrication of Structurals and Non Pressure Parts work such as Ductings, Casings etc., for the power, Cement and Industrial Plants. With a dedicated workforce and trained technicians the company has provided innovative material handling solutions, quality parts and reliable service to its clientele all over India, particularly the southern state of Tamil Nadu, Andhra Pradesh, Karnataka and Kerala.

“ We strive to exceed conventional limits and to deliver reliable and efficient solutions to our customers.

We are fully committed to be the industry leader in crane technology and provide our customers with highest quality products and services and lead through process improvement and innovation.



Single Girder EOT Crane



Single Girder Cranes are designed to cover a wide range of modern industrial demands, providing excellent value for money with no compromise on performance. Amsak's single girder crane has reduced wheel loads, saving costs on new support structures and increased lifting capacities on existing structures.

We offer various crane beam to end carriage constructions to ensure optimum use of headroom available. Hoists are offered as standard in low headroom format running on the bottom flange of the beam.

Industrial Applications

- ✓ General Manufacturing
- ✓ Automobile Industry
- ✓ Metal Products Manufacturing
- ✓ Manufacturing units such as paint shops and Machine shops



Double Girder EOT Crane



Double Girder Cranes give a better height of lift in a given headroom as the hook travels between the beams. They are available in higher capacities than single girder and for heavy duty applications they can be supplied with open winch hoists. Normally double girder cranes have 25 tonnes capacity and also in higher capacities. One simple advantage of the double girder design is the possibility to fit a walkway to the crane which gives maintenance access to many critical parts of the crane and often to overhead lighting etc.

Industrial Applications

- ✓ Automobile Industry
- ✓ Container and Handling
- ✓ General Manufacturing
- ✓ Paper Industries
- ✓ Heavy Metal Product Handling Industries



Gantry Crane



Amsak Crane designs, fabricates and installs gantry bridge crane systems to meet your material handling requirements. Our gantry bridge crane systems are available with either single, double girder bridges. They are ideal for use in aircraft, automotive, and marine repair shops. They also work well in warehouses, machine shops, and loading areas. Gantry-cranes are supplied with four roller-bearing steel wheels for easy maneuverability. These cranes are highly efficient to work outdoors, achieving high speeds and capacities

Amsak Gantry Cranes are unrivaled in design strength, stability, and quality construction:

- ✓ Precision tolerances and welding ensure component alignment and operational stability.
- ✓ We use standardized, quality Indian I-beams.
- ✓ All nuts, bolts, and pins are plated for corrosion resistance, and all Gantries are painted safety yellow.
- ✓ Outdoor use options available, including exterior coatings and stainless steel motors.

Industrial Applications

Industrial areas where the heavy load products are manufactured, in which this cranes are used in lifting the parts of the products manufactured.



Tyre Mounted Gantry



Amsak Rubber tyre gantry cranes (RTGs) delivers exceptional productivity and reliability in Coil / Container stacking. They are available with spans of between 20 mts to 30 Mts. They have a rigid and stable steel structure allowing precise handling with smooth movements even at high speeds. The high quality standard is achieved with ease of maintenance and results in minimum downtime increasing throughput per RTG Unit.

Industrial Applications

- ✓ Intelligent structure for excellent stability and improved duty cycle.
- ✓ Non Hydraulic Design, enabling the operational convenience and cost savings
- ✓ All key components used from industry -leading suppliers
- ✓ All in one control to handling the load with uninterrupted focus for the crane operator
- ✓ Solutions synergy applied to reduce the amount of separate machinery and components anti-srag, side shift, trimmed wheel turning.



Jib Crane

Jib-cranes are available in a wide range of standard formats in capacities from 125kg to 6300kg. Larger specially designed options are available on request. We offer two formats of jib-crane, the pillar or post-mounted jib and the wall or column mounted. Each of these may be equipped with chain hoists or wire rope hoists with the additional options of electric travel and electric slewing gear. The jib arm may be under or over braced to maximise height of lift or travel. Post-mounted jibs can be constructed to provide a slewing angle 360°. Fixed jibs and monorail solutions may be appropriate for other applications.

Industrial Applications

These type of cranes are mostly used in Marine industries.



Light Crane System

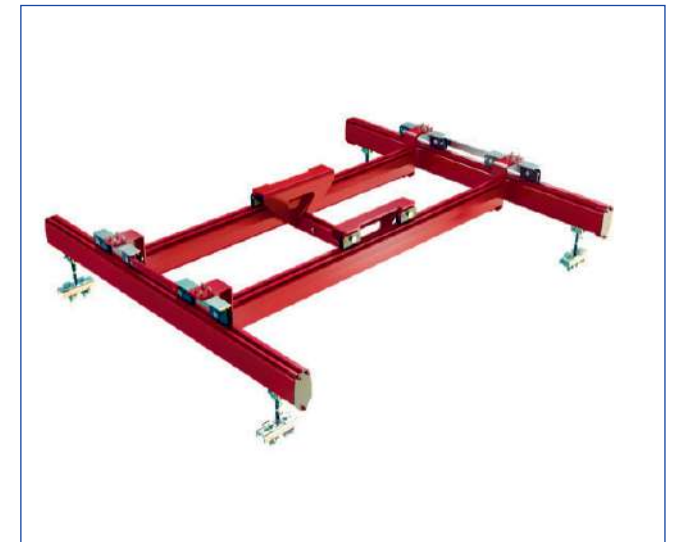
Amsak Light Crane System (LCS), can help you meet your specific application requirements precisely, quickly and efficiently. The components of our modular system can be combined to create individual suspension monorail, suspension crane, pillar and wall mounted slewing jib crane solutions. Our LCS installations can be integrated easily into any production infrastructure – and modified at any time. We provide various types of LCS Cranes as per customer requirements.

Types of LCS Cranes:

- ✓ Standard I Section with Manual Trolley
- ✓ Lightweight Profile System
- ✓ Cantilever Beam Type
- ✓ Special or tailor made crane system
 - Profile system can be offered to a span of maximum 8m upon customer request.
 - Profile System with aluminum rails suitable for less weight handling in assemblies to a capacity from 400kg (span up to 6m) is also available.

Features:

- ✓ Highly flexible and reliable suspension systems
- ✓ Wide variety of suspension designs are available to enable the precise lifting and positioning of loads in almost inaccessible areas.
- ✓ Less vibration and low noise level
- ✓ Height adjustable
- ✓ Low maintenance cost with prolonged service life



Hoist and Crane Kit



Few of Our Valuable Customer





Amsak Cranes Private Limited

Manufacturers of E O T Cranes, Jib Cranes, Gantry Cranes, Winches, Goods Lift

Corporate office:

New no 5 old no 88
W - Block. #2nd street.
Anna Nagar chennai -600040
Phone : 044 35589193

Office & Factory:

103, Beemanthagal, National Highways Road,
Sriperumbudur, Chennai - 602 105.
Phone: 044 - 27163987 | 27163988

Email :

sales@amsakcranes.com | contact@amsakcranes.com
info@amsakcranes.com

Website:

www.amsakcranes.com